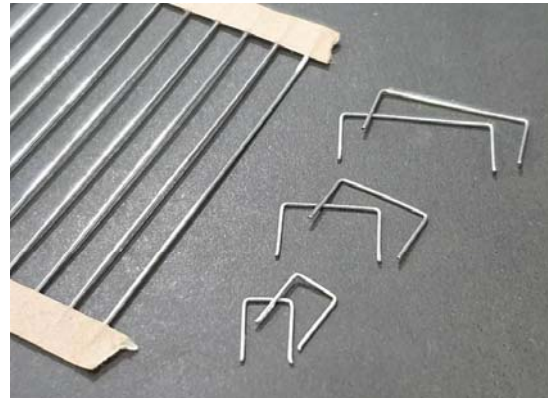


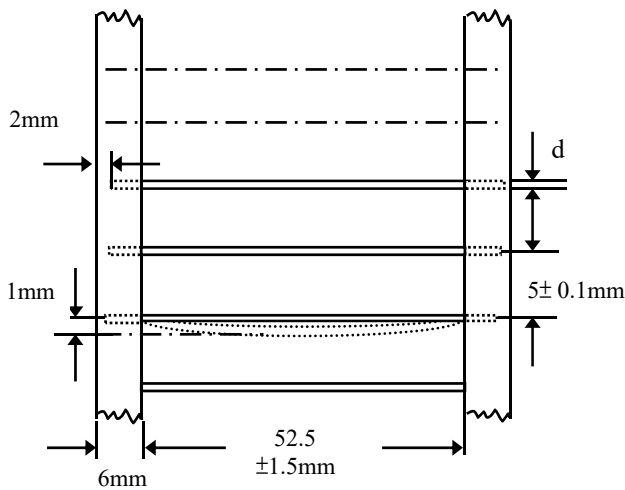
Jumper Wire Specification

Characteristic

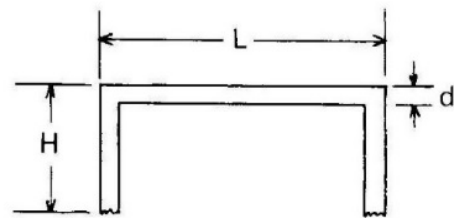
Material	Tin plated soft Copper Wire
Conductor	0.54mΩ/cm
Resistance	
Conductivity	Min. 96%
Current Rating	6 Amps at 70°C for 0.50mm
	7 Amps at 70°C for 0.56mm
	7.5 Amps at 70°C for 0.60mm
	8.5 Amps at 70°C for 0.70mm
	10 Amps at 70°C for 0.80mm



Tape



M-type



$$L = 5\text{mm} \sim \text{max } 30\text{mm}$$

$$H = 9\text{mm} \pm 1\text{mm}$$

$$d = 0.56\text{mm} \sim 0.8\text{mm}$$

How to Order

J.W

JUMPER WIRE

60

50= ϕ 0.5mm

56= ϕ 0.56mm

60= ϕ 0.6mm

70= ϕ 0.7mm

80= ϕ 0.8mm

T

T=tape box

R=tape on reel

M=M L*H

Packing

d	Standard Q'ty per Box or Reel
0.5± 0.05mm	10000
0.56± 0.05mm	10000
0.6± 0.05mm	10000
0.7± 0.05mm	8000
0.8± 0.05mm	8000