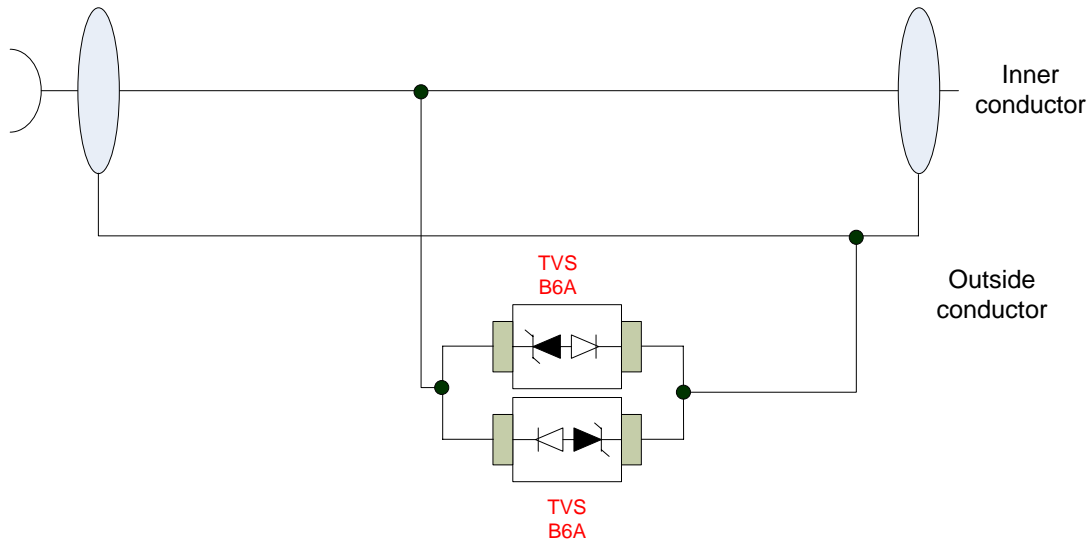
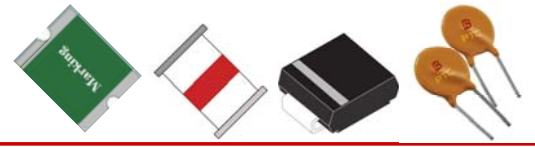
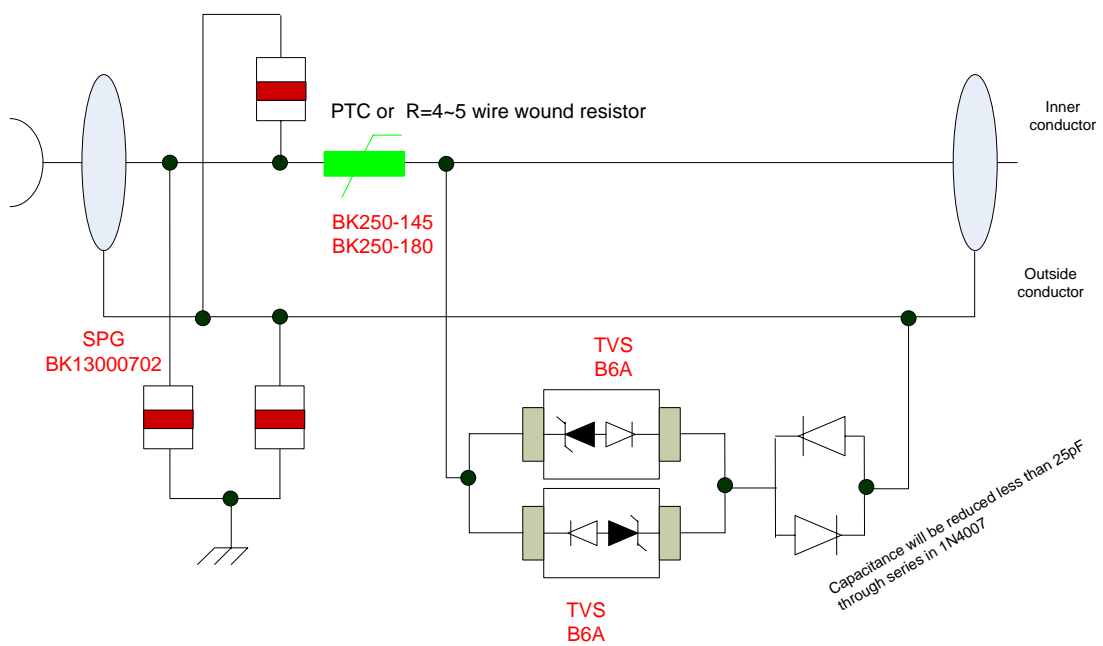


Coax Signal Line Protection Circuit



Note:

The solution will comply with 10/700uS 6KV test, clamp the surge voltage below 15V.



Note:

The solution will comply with both 1.2/50uS and 10/700uS 6KV test, clamp the surge voltage below 15V.